

Pig Handling System



Product Description

Ergil® provides custom made pig handling cranes and trolley systems for your pigging station.

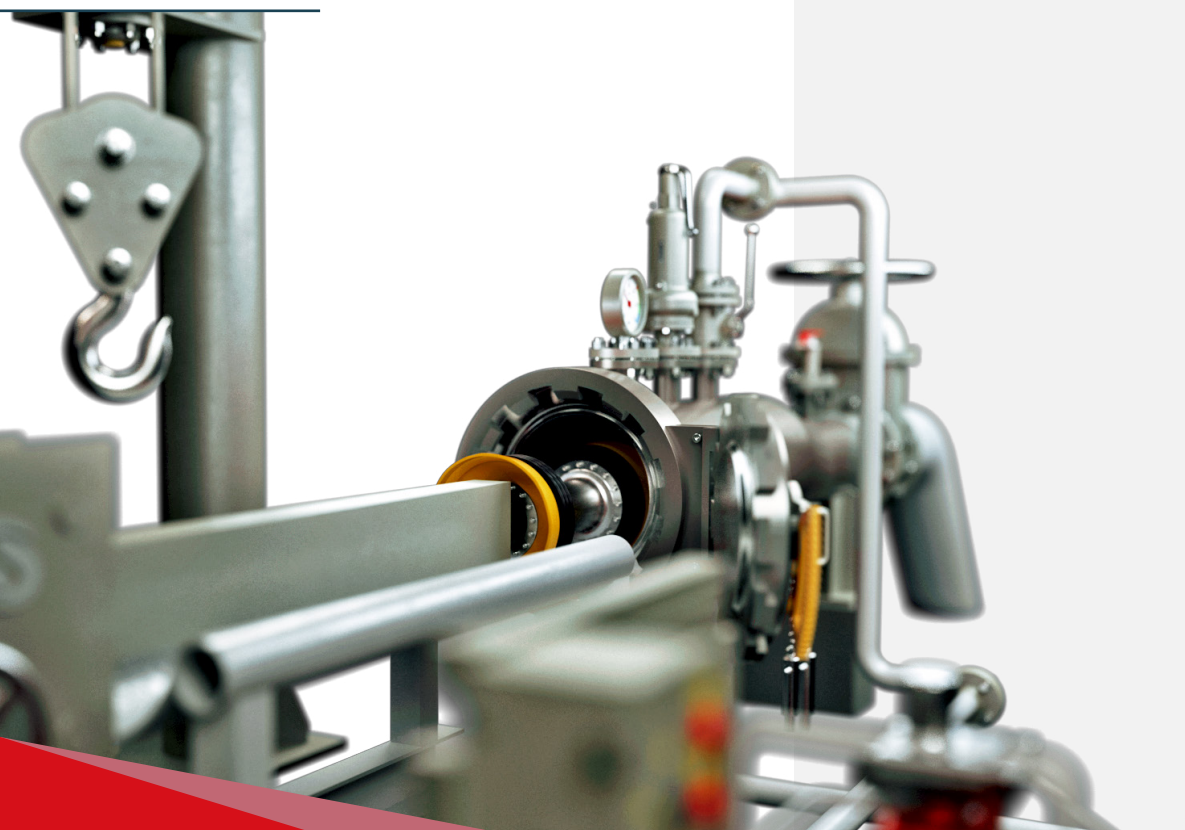
These systems can help you to handle, load, and unload the pigs without using man power and minimize the work accidents.

Each pig handling and trolley system is designed and manufactured to meet the requirements of each client.

Pig handling systems consist of a trolley and a crane. Pig trolleys can be either mechanical (man-power), or automatic, which is powered by a motor.

Systems can be also applied separately. Spark proof certificated handling system can be also supplied on request.

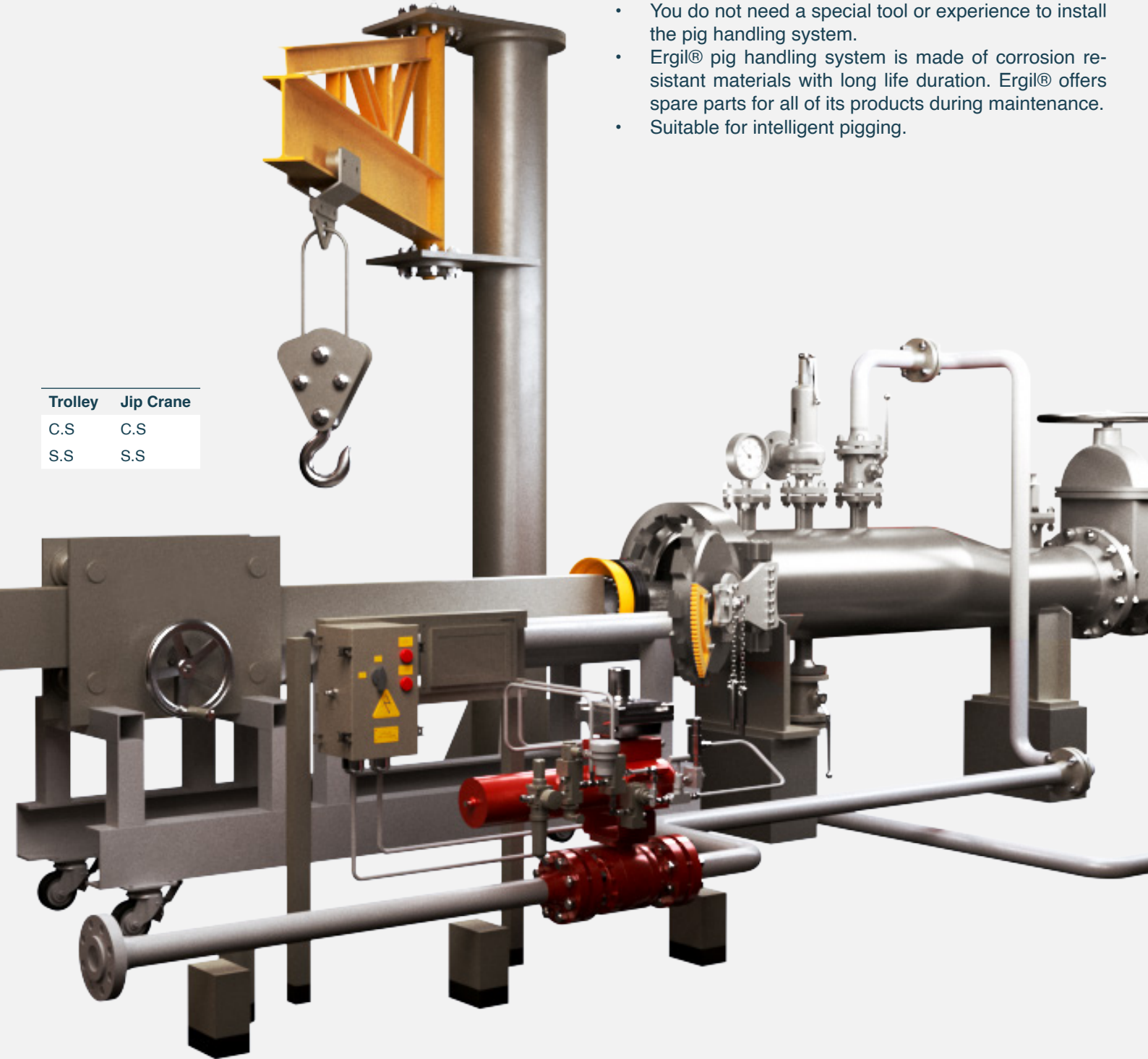
Handling system specially designed for easy use, and easy to maintenance; no need for spare parts.



Product Benefits

- Easy to use and install.
- You do not need a special tool or experience to install the pig handling system.
- Ergil® pig handling system is made of corrosion resistant materials with long life duration. Ergil® offers spare parts for all of its products during maintenance.
- Suitable for intelligent pigging.

Trolley	Jip Crane
C.S	C.S
S.S	S.S

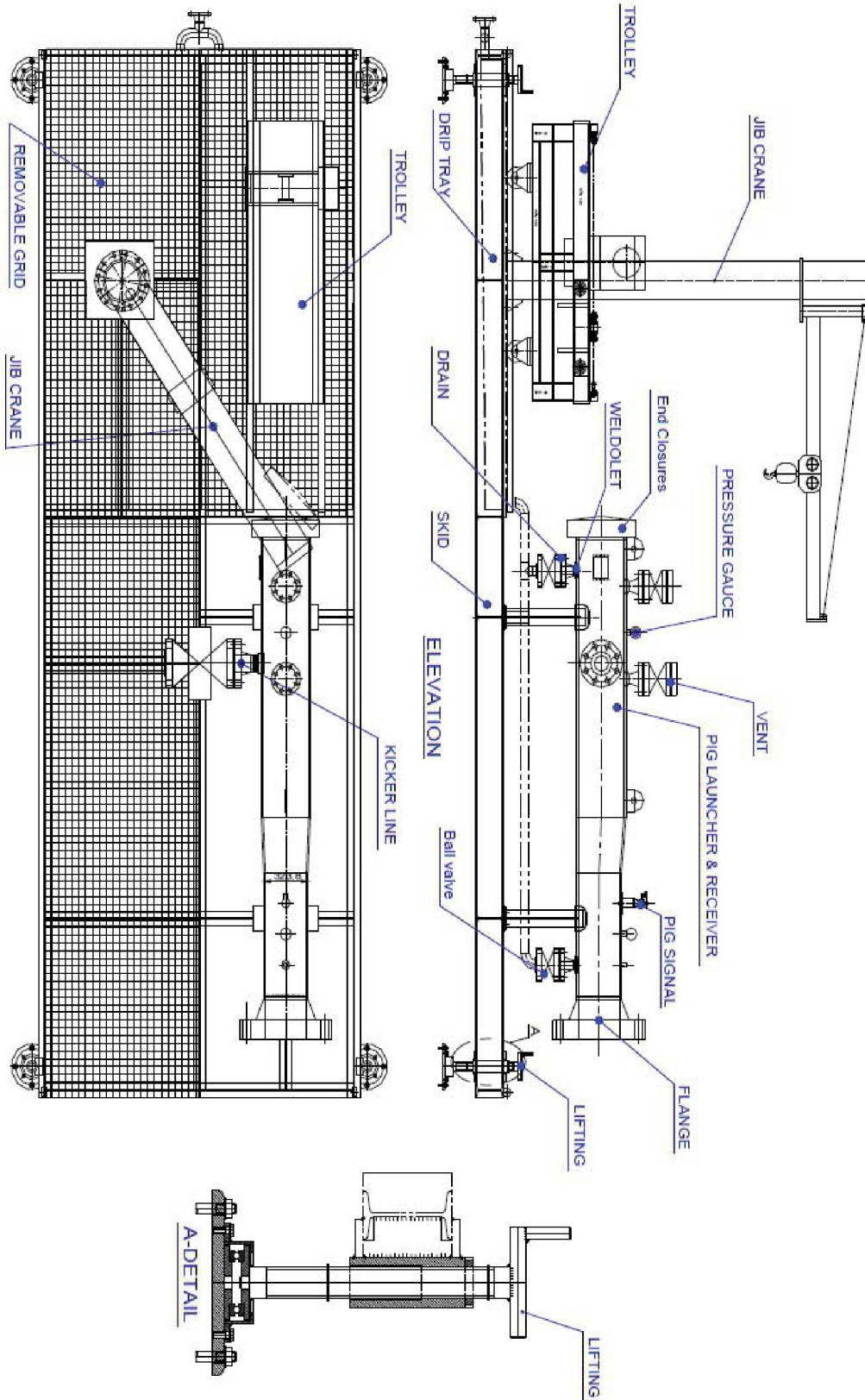


Key Features

- Ergil® pig handling system comes with the sand blasted and primer coated and color of your choice.
- All welds are 100% inspected and tested.
- Different sizes are available, and different carriage capacity can be manufactured upon request.

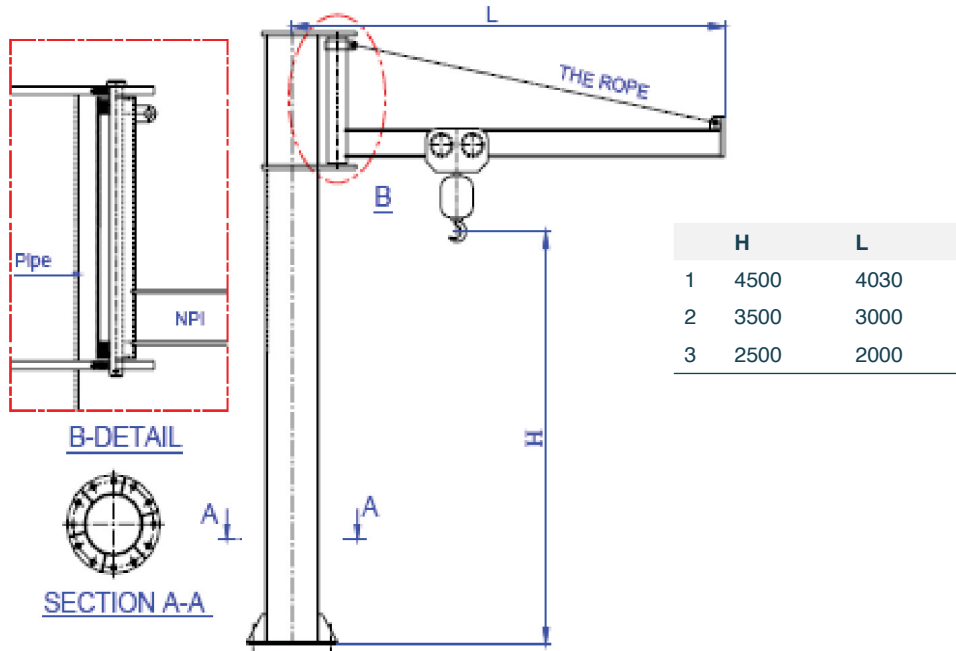
Technical Drawing

Complete Pigging System

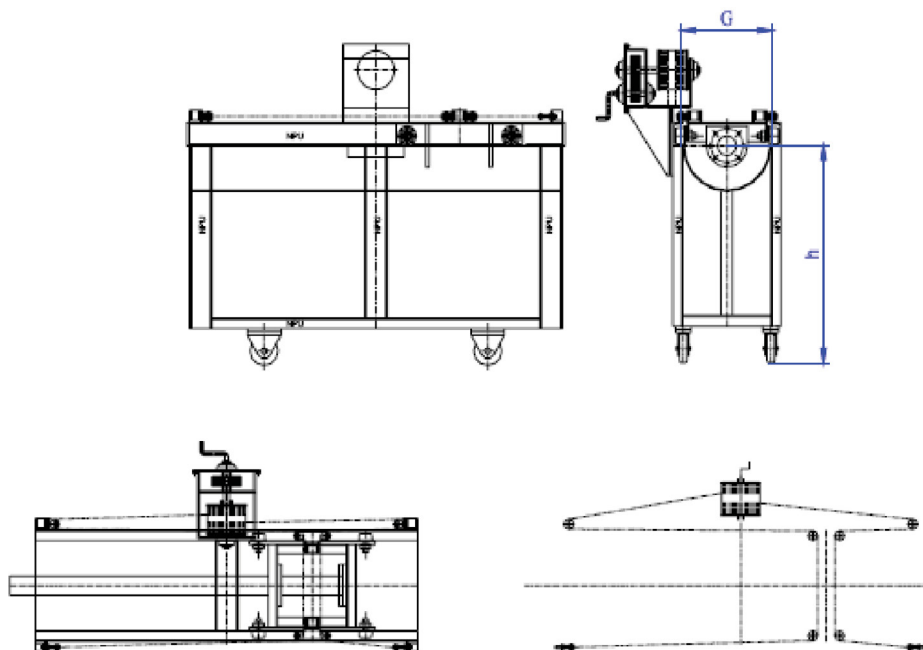


Technical Drawing

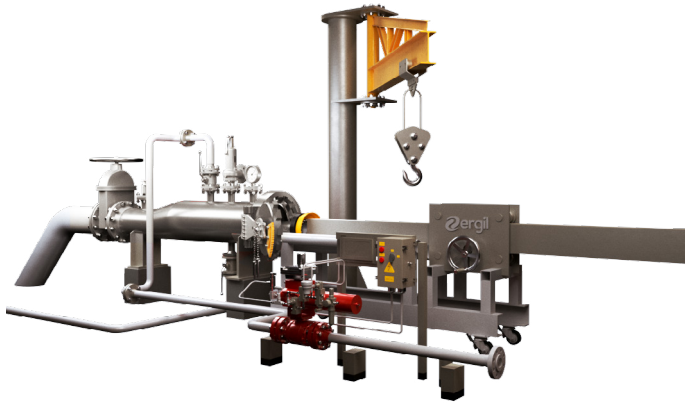
Jib Crane



Trolley



Product Recommendations



Skid Mounted Complete
Pigging Systems

Pipeline pigging systems are the heart and soul of any pipeline. They are the crucial part for the operation. Pipeline pig stations are used for pipeline inspection, cleaning, maintenance and help flow of multiple products at the same time.

Due to the increasing safety, environmental and operational cost, pipeline operation is more expensive than before. Today's pipeline operators are looking for more reliable, safe and sustainable solutions.

Thanks to 40 years of experience, ERGIL provides unique solutions for pipeline pigging stations.

ERGIL's modular pigging stations provide all you need on a single skid. ERGIL designs mobile or permanent frames with adjustable height mechanisms, so moving from one place to another and using it for multiple pipelines is possible.

They are easy to transport from one location to another. Modules can be designed as per the shipping method (sea, road and even air) and the system can be customizable as per working environment to protect against rush weather effects or robbery.

Ergil® provides a comprehensive range of professional services to Oil, Gas, Petrochemical, Chemical, Water industries for almost 40 years.



Quick Opening Closure
Pipeline Pigging System

ERGIL is a world leader in the manufacture of quick opening closures. ERGIL RX closures are high pressure quick opening closures (QOC) supplied in the vertical or horizontal configuration. ERGIL RX® is designed to be opened and closed by one person in a minute without utilizing additional tools. We aim to develop products and advanced services as completely integrated turnkey solutions for your needs. ERGIL RX Quick Opening Closures offers the most strong and safely products in the world.

Our high pressure Quick Opening Closures are designed, engineered and manufactured as per strict international requirements which are applicable to the Pressure Vessels for Oil, Gas, Petrochemical, Waste water treatment and Marine industry. We are providing our best services for entire device determining life time accurately as well as longest durability by our in-house engineering services.

Designed to ASME B31.4, ASME B31.8 and ASME Section VIII Div. 1 Codes. Quick Opening Closures come with the internal locking mechanism. All Quick Closures come with the sand blasted and primer coated and color of your choice. Quick Closures can be hydrostatically tested on request. It offers spare parts for all of its products during maintenance. Internal inspection and test certificates will be provided for each item. Third party inspection can be provided.

Äger GmbH

Germany Head Office + R&D + Sales

Herzogspitalstraße 24
Munich 80331
Germany
+49 89 9040 5200
www.aager.de
sales@aager.de

Turkey Head Office + Sales

Ağaoğlu My Office 212
No: 3 B Blok /175
P.K 34218 Güneşli – Bağcılar
Istanbul / Turkey
+90 212 485 40 07
+90 212 485 40 42
www.ergil.com
sales@ergil.com

Turkey Factory + Engineering + R&D + Sales

Mersin Tarsus OSB.13.CD.NO:7
P.K: 33540 Mersin, Turkey
+90 324 676 44 04
+90 324 676 44 03
sales@ergil.com

U.A.E. Sales + Warehouse

Jumeirah Lake Towers, X2 Tower 1906
P.O. Box: 123661 Dubai, U.A.E.
+971 4 450 8051
+971 4 450 8041
sales@ergil.com

data sheet series

Pig Handling System

Revision No: 01
ER-DS-PHS-06.21/V1
ergil.com

June 2021



YouTube Video
QR Code

YouTube

